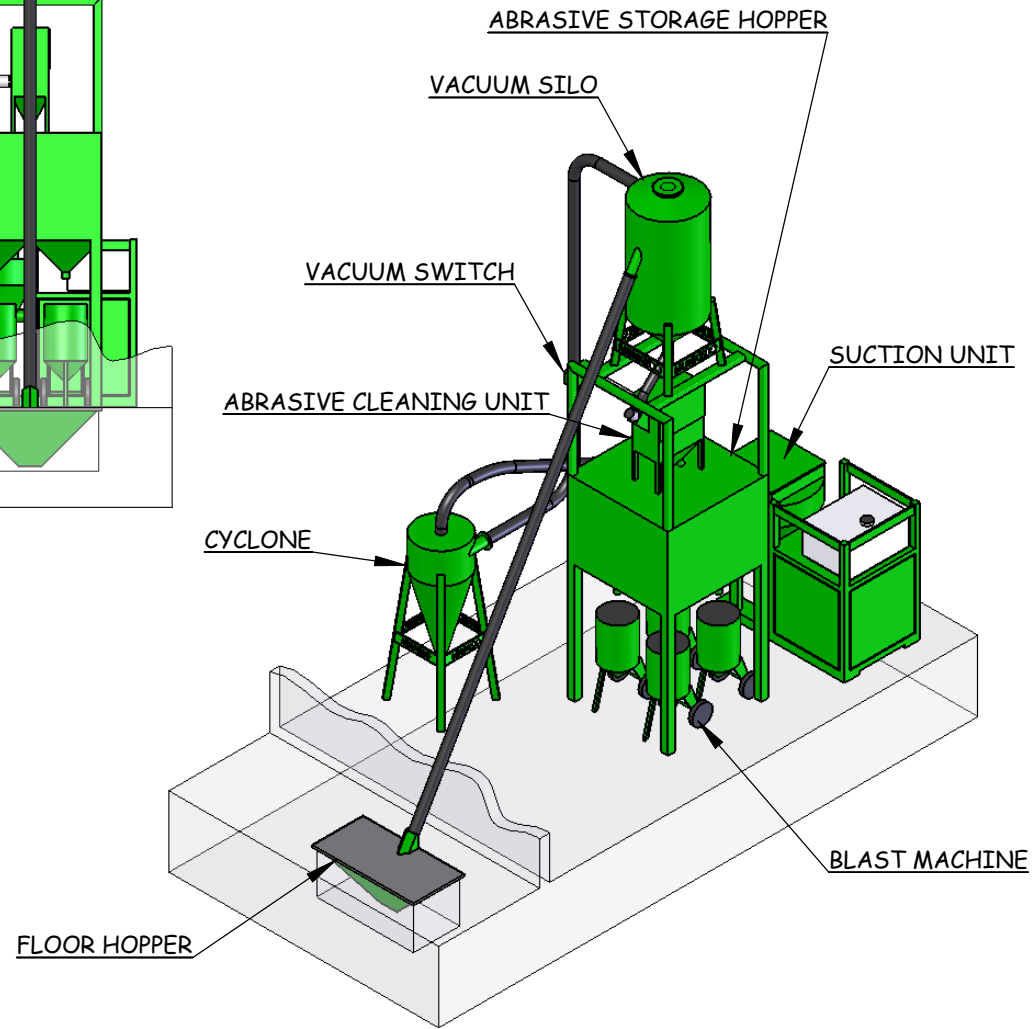
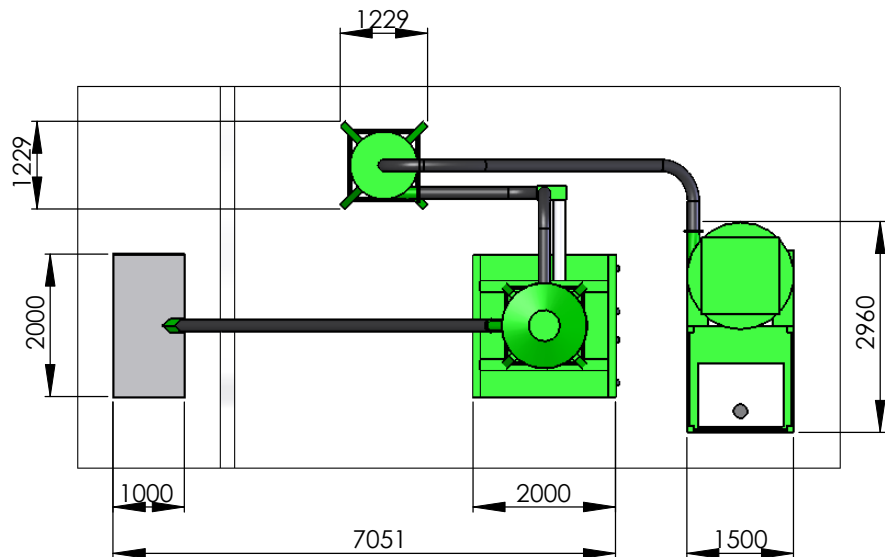
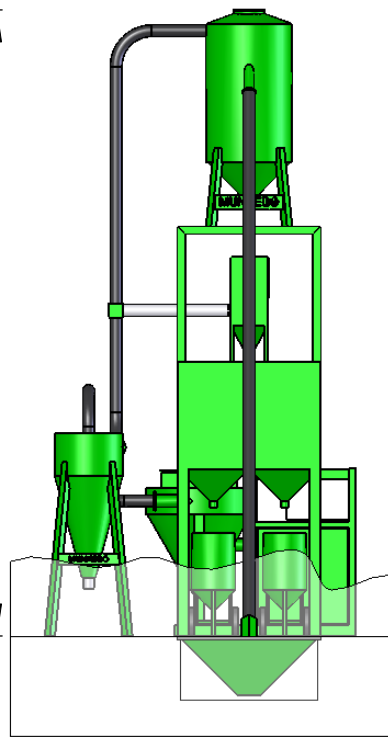
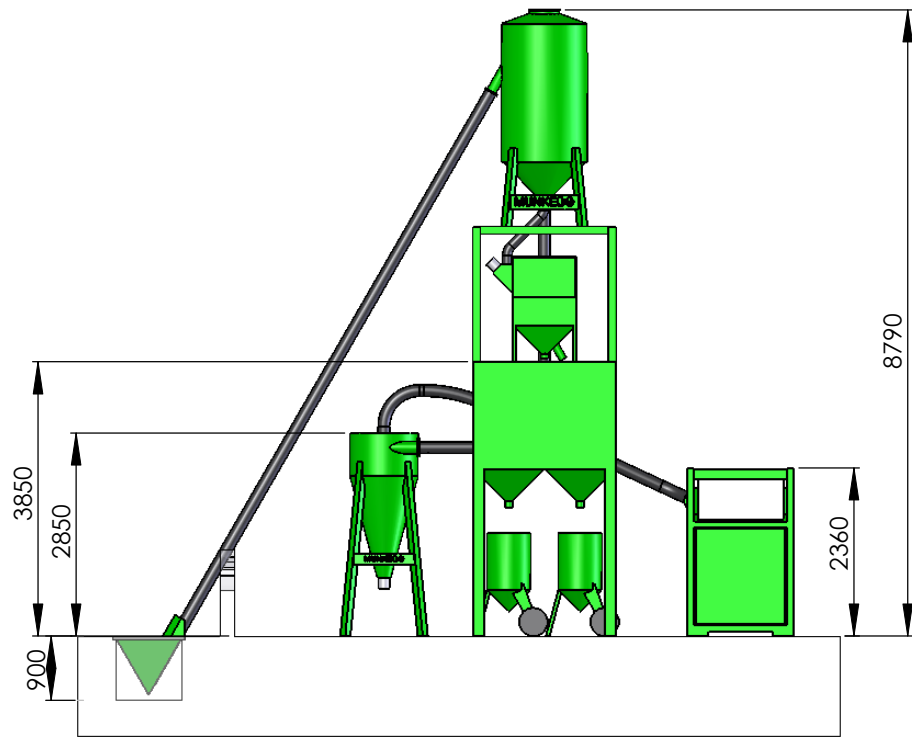
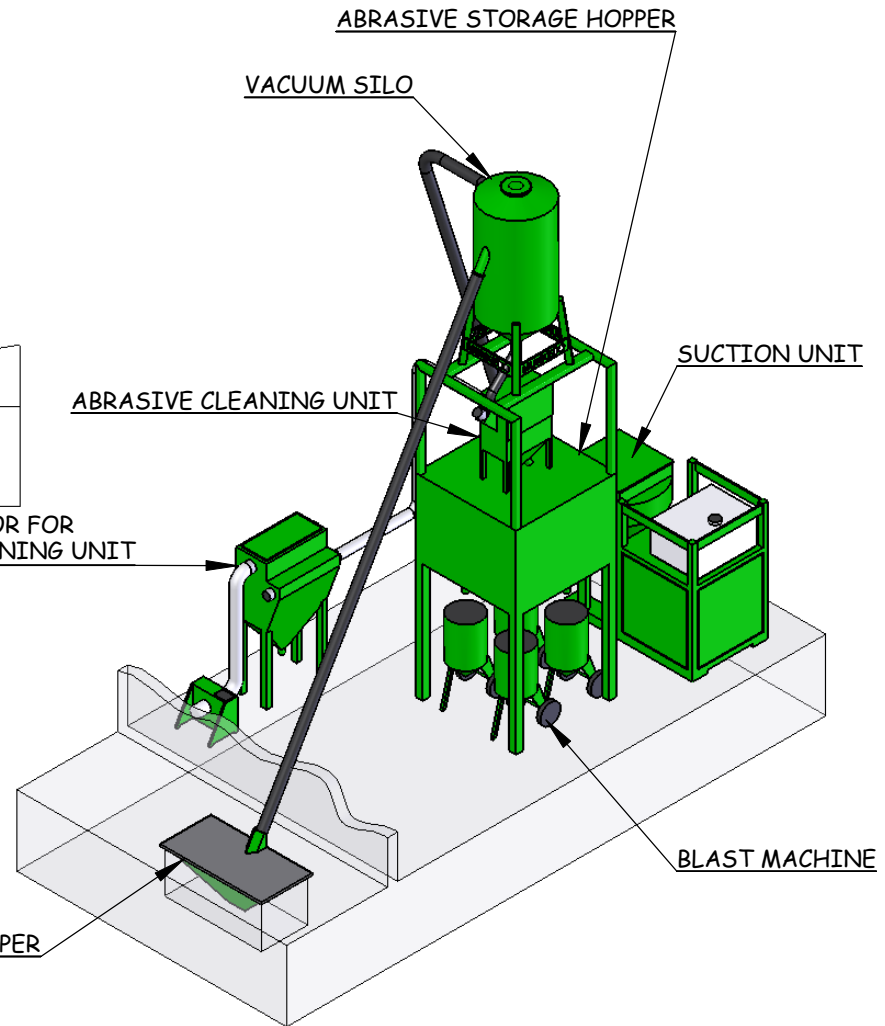
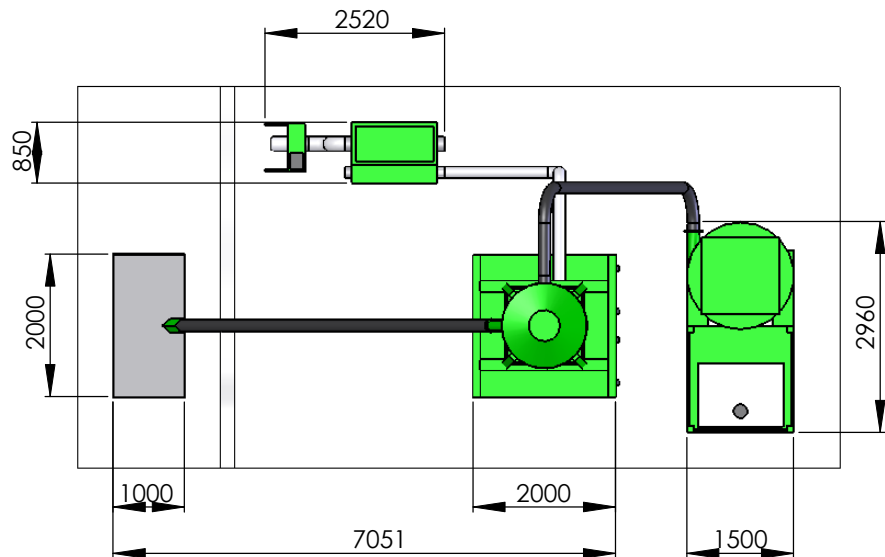
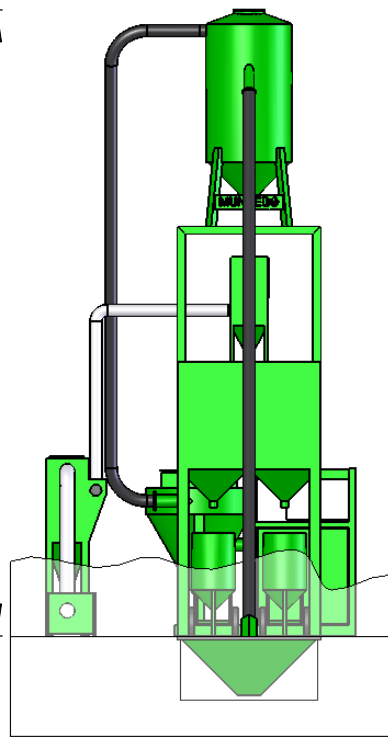
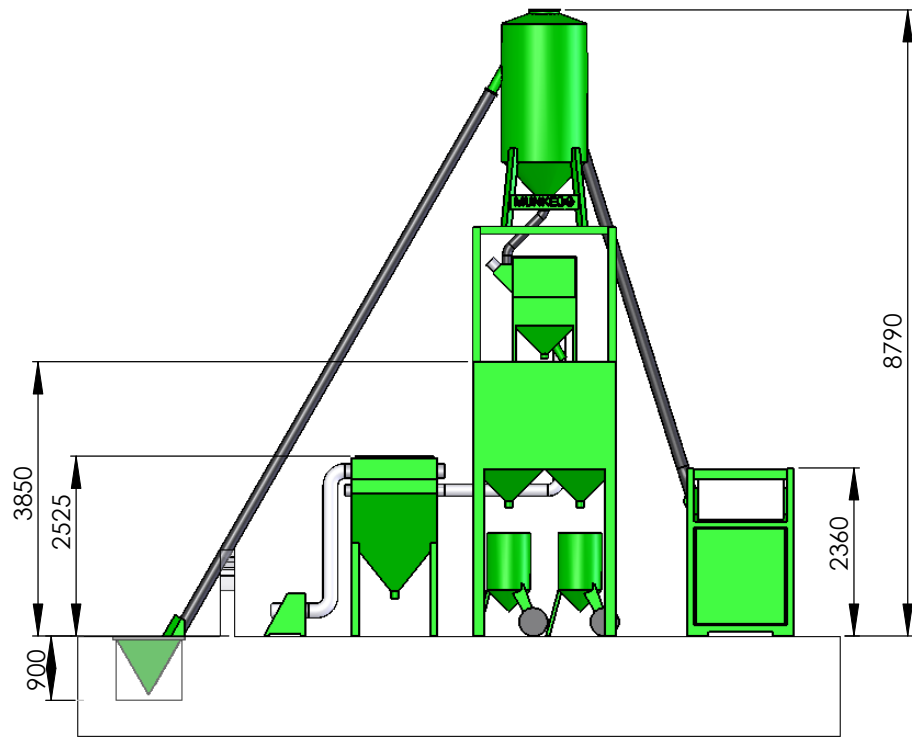


MUNKEBO CLEMCO A/S SMEDELØKKEN 5-7 TLF.: +45 65 97 43 80 DK-5330 MUNKEBO FAX: +45 65 97 47 45 WWW.MUNKEBO.COM INFO@MUNKEBO.COM	Format: A3	Date: 01.07.09	Drawn by: LA
	Page: 1 of 1	Rev. date:	Scale: 1:40
Description: VACUUM SYSTEM MB-3000E5 PORTABLE		Drawing no.: 9,1079	



MUNKEBO CLEMCO A/S SMEDELØKKEN 5-7 TLF.: +45 65 97 43 80 DK-5330 MUNKEBO FAX: +45 65 97 47 45 WWW.MUNKEBO.COM INFO@MUNKEBO.COM	Format: A3	Date: 11.05.09	Drawn by: LA
	Page: 1 of 1	Rev. date:	Scale: 1:75
Description: VACUUM RECOVERY SYSTEM MB-REC-3000		Drawing no.: 9,1095	



MUNKEBO CLEMCO A/S SMEDELØKKEN 5-7 TLF.: +45 65 97 43 80 DK-5330 MUNKEBO FAX: +45 65 97 47 45 WWW.MUNKEBO.COM INFO@MUNKEBO.COM	Format: A3	Date: 02.04.09	Drawn by: LA
	Page: 1 of 1	Rev. date:	Scale: 1:75
Description: VACUUM RECOVERY SYSTEM MB-VENT-3000		Drawing no.: 9,1099	